

C-Bus® 360° Occupancy/Light Level Detector with IR, Surface Mount



5754ODPEIR

The surface-mounted occupancy detector uses Passive Infrared (PIR) sensing to accurately detect occupancy. The unit issues commands over the C-Bus network to control output devices such as dimmers or relays.

The detector incorporates an ambient light level sensor that allows different behaviour in dark and light conditions. The light level required to change from light to dark is adjustable and can be set at a level that ranges from full daylight to almost complete darkness.

The detector includes an infrared receiver that is compatible with hand held C-Bus infrared remote control units.

With a 360° field of view and coverage range of 7.6 metres when mounted 2.7m above the floor, the 5754ODPE detector is ideal for offices, conference rooms, corridors and hallways.

The detector readily mounts on solid surfaces such as masonry or wood. A single twisted pair connection provides both the C-Bus network interface and power for the detector.

- Quickly mounts on solid surfaces such as masonry or wood
- Extends only 33mm from the mounting surface
- Uses passive infrared (PIR) detection with manually adjustable sensitivity to motion
- Motion detection coverage is typically 7.6m diameter at 2.7 metres mounting height
- Timer delay can be set from 0 seconds to 18hr 12min 15sec, software programmable in 1 second intervals
- Includes a light level sensor with a measurement range from 0–2000 lux
- Compatible with the C-Bus remote controls, such as the 5034TX series and 5035TX2 (sold separately)
- Trimpot controls on the unit set the light level adjustment and the PIR motion sensitivity
- SELV/Class 2 device. Powered from the C-Bus network. Requires no connection to building power
- Infrared remote receiver range is 10m when the detector is mounted 2.7m above the floor
- Single twisted pair connection provides C-Bus signal path and power for the detector. Removable connectors allow for daisy chain wiring. The unit can be placed anywhere on the C-Bus network
- LED indicators show when light level monitoring is active and when the assigned C-Bus group is active. Motion LED can be programmed on or off.
- Programmed using C-Bus Toolkit software
- Light level threshold value is set in software
- Software provides selectable group addressing for the light level target
- Selectable group address for the light level margin
- Selectable group address for High/Low lux levels
- Selectable block for which the High/Low thresholds are controlled by a group
- Bank switching of lighting levels based upon the Light Level Set Point
- Daylight harvesting to maintain a constant user-configured light level

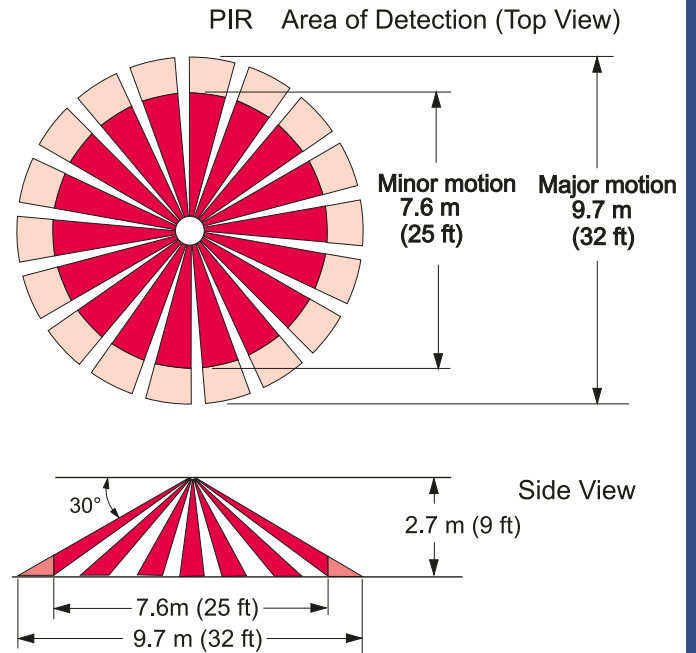
clipsal.com/cis

5754ODPEIR C-Bus 360° Occupancy/Light Level Detector with IR, Surface Mount

Ordering Information

Catalogue Number	Description
5754ODPEIR	360° C-Bus Passive Infrared (PIR) occupancy detector and light level sensor, surface mount, with IR remote control receiver

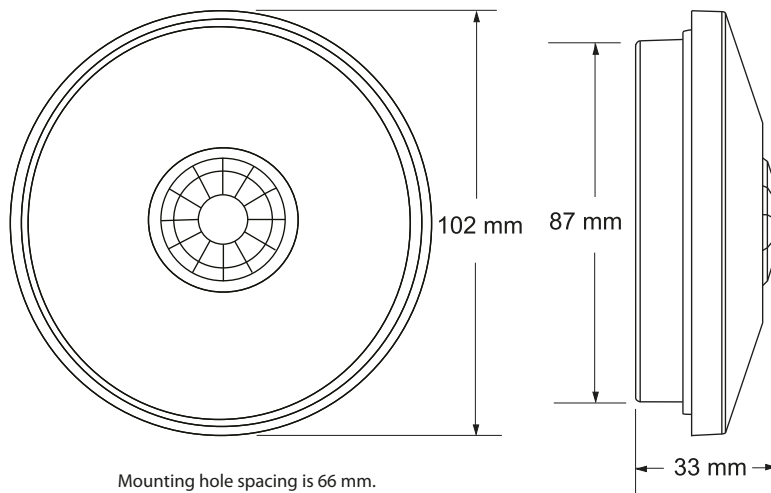
Coverage Pattern



Specifications

Parameter	Description
Supply voltage	15 - 36V d.c. supplied by C-Bus network. Does not supply power to the network.
Current (active)	15mA
Detection Area (PIR)	360° Passive infrared (PIR) 7.6m diameter at 2.7m height
Light level sensor range	0 to 2000 lux
Infrared remote range	10m when detector is mounted 2.7m above floor
Controls	Trimpot A: light level threshold adjustment Trimpot B: PIR motion sensitivity adjustment
Indicator LEDs	Red LED: light level maintenance is active Orange LED: assigned network group is active Blue LED: PIR movement is detected, programmable
Ambient operating temperature range	5° to 50° C
Ambient operating humidity range	10 to 90% RH (non-condensing)
Standards tested to	AS/NZS CISPR 22 IEC CISPR 22 and CISPR 24 EN 55022 and EN 55024 RoHS
Warranty	Two-year warranty against manufacturing defects.

Dimensions



Clipsal Australia Pty Ltd

A member of Schneider Electric

Head Office

33-37 Port Wakefield Road,
Gepps Cross, South Australia 5094

PO Box 132, Enfield Plaza
South Australia 5085

clipsal.com/cis

Internet: <http://clipsal.com/cis/>
E-mail: cis.support@clipsal.com.au

Contact us at:

<http://www.clipsal.com/feedback>

International Sales and Marketing

E-mail: export@clipsal.com.au

You can find this data sheet and many others online in PDF format at: clipsal.com

The information in this data sheet is provided in good faith. Schneider Electric has endeavoured to ensure the relevance and accuracy of the information. It assumes no responsibility for any loss incurred as a result of its use.