

DUS30CS

Multifunction Sensor

Wall/ceiling mount 30° multifunction sensor

The DUS30CS is wall or ceiling mountable multifunction sensor that combines motion detection (PIR), infrared remote control reception (IR) and ambient light level detection (PE) into one device in applications such as offices, lecture theaters and homes.

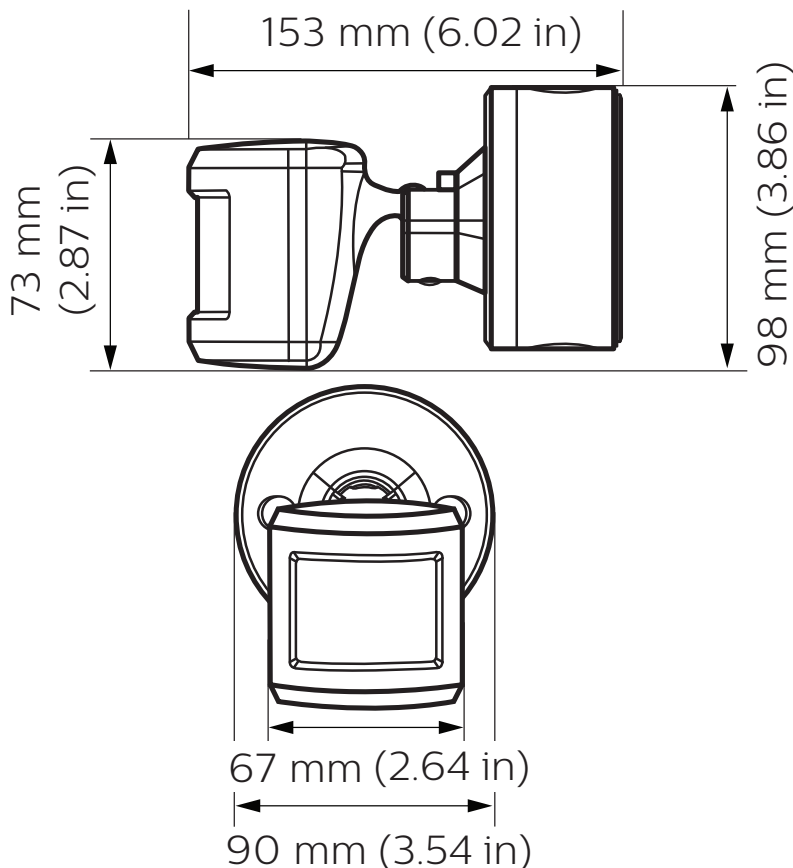
Manufactured with an IP54 rating, the DUS30CS is resistant to dust and splashing, making it suitable for use in both indoor and sheltered outdoor areas.

DUS30CS

Wall/ceiling mount 30° multifunction sensor

- **Motion detection feature** — Detects the presence or absence of motion and adjusts lights accordingly. The sensor has a 30° scan pattern with flexible angle adjustment.
- **Ambient light level regulation** — In applications where it is necessary to maintain even lighting, the PE function reads ambient levels and adjusts artificial light accordingly.
- **Infrared receive capability** — Manually adjust light levels using a hand-held remote control, via the inbuilt IR receive sensor.
- **Daylight harvesting mode** — Delivers automatic energy savings.
- **Multiple mounting options** — and can be surface-mounted (wall/ceiling), or partially recessed (ceiling only) using the supplied junction box or butterfly clips.
- **IP54 rating** — Dust- and splash-resistant housing allows installation in a variety of indoor and outdoor applications..

Dimensions



Specifications

Due to continuous improvements and innovations, specifications may change without notice.



DUS30CS
Multifunction Sensor

Electrical

Supply Type	DyNet
Supply Voltage	12/24 VDC
Supply Current	20 mA (max)
IEC Overvoltage Category	III

Motion Detection (PIR)

Sensor	Dual element pyroelectric
Maximum Detection Range	30.5 m (100 ft)*
Scan Beam Angle	30°
Detection Area	See next page

Light Detection (PE)

Lux Range	5-90,000 lux
-----------	--------------

Control

Serial Ports	1 x RS-485
Supported Protocols	DyNet
User Input	Infrared (RC5 IR remote control) 6 m range
Indicators	Red motion LED

Physical

Dimensions (H x W x D)	98 x 90 x 153 mm (3.86 x 3.54 x 6.02 in)
Packed Weight	0.26 kg (0.57 lb)
Construction	Polycarbonate plastic enclosure
Color	White (RAL9010)
Serial Ports	1 x screw terminal
Screw Terminal Conductor Size	2.5 mm ² (#12 AWG) (max)

Environment

Operating Temperature	-20° to 45°C ambient (-4° to 113°F)
Storage/Transport Temperature	-25° to 70°C ambient (-13° to 158°F)
Humidity	0 to 90% non-condensing
IP Rating	IP54 (When installed as per manufacturer instructions)
IEC Pollution Degree	II

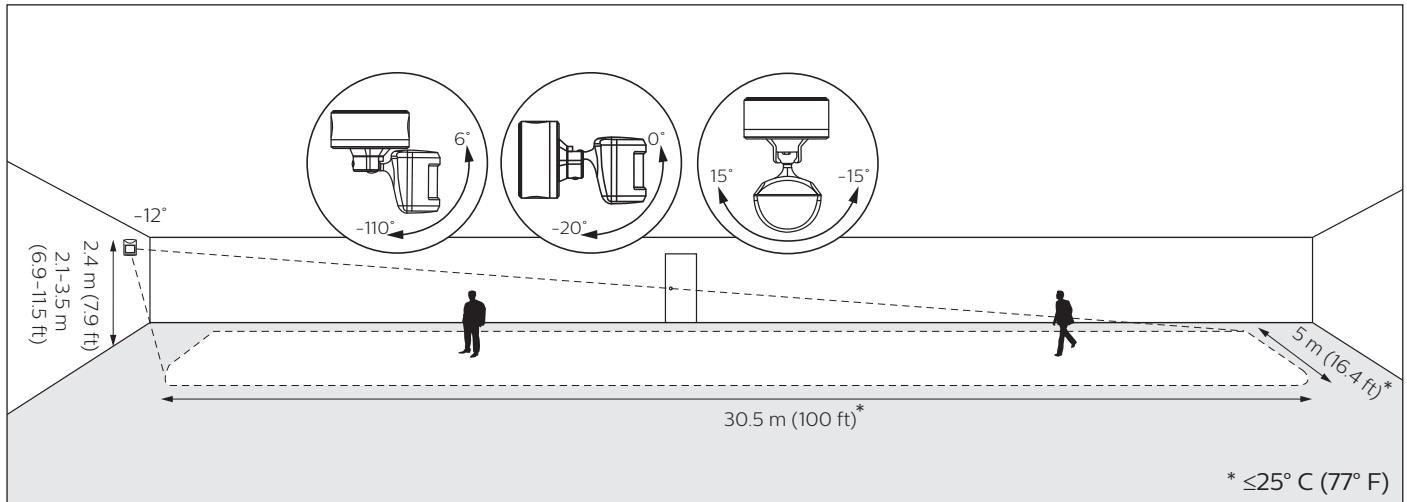
Compliance

Certification	CE, RCM, UL/cUL, FCC, ICES, RoHS
---------------	----------------------------------

* Typical detection range at ≤ 25°C (77°F). Range is reduced at higher temperatures.



Detection Area



Ordering Code

Product	Philips 12NC
DUS30CS	913703244309
Accessories	Philips 12NC
DINGUS-DUS-RJ12-DUAL (dual RJ12 connector)	913703064309
DINGUS-DUS-RJ45-DUAL (dual RJ45 connector)	913703064409
IRT9090/01 (commissioning & testing RC5 IR remote control)	913700359103
IRT9010/00 (user-friendly RC5 IR remote control)	913700392403

