



DBC1210

Signal Dimmer Controller

Wall mount multi-protocol control solution

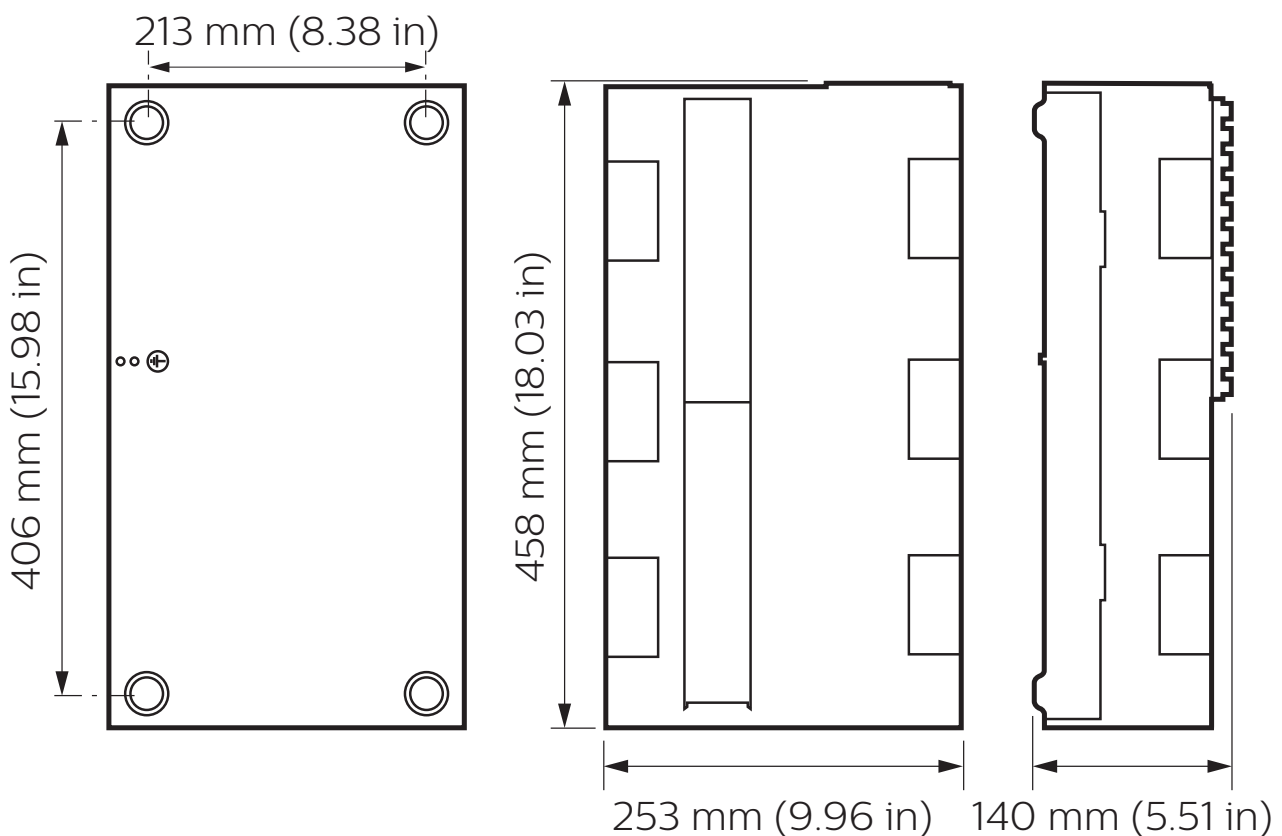
The Philips Dynalite DBC1210 is a 12-channel signal dimmer controller, featuring a maximum of load of 10 A per channel. It is designed for use with DALI, 1-10 V and DSI dimmable drivers and transformers.

DBC1210

Wall mount multi-protocol control solution

- **Multiple protocols supported** – Compatible with a range of fittings and devices including; DSI drivers, DSI electronic low voltage transformers, DALI drivers (broadcast mode only), DALI electronic low voltage transformers (broadcast mode only), 1-10 V drivers and other switched loads.
- **Service override switch** – Incorporated as standard, forces all channels to 100%.
- **Inbuilt diagnostic functionality** – Features Device Online/Offline status indication.
- **Options available** – Including an additional RS-485 DyNet/DMX512 port, and earth leakage and overload protection on each channel.

Dimensions



Specifications

Due to continuous improvements and innovations, specifications may change without notice.



DBC1210
Signal Dimmer Controller

Electrical

Supply Type	Single-Phase Three-phase
Single-Phase Supply	240 VAC @ 63 A
Three-Phase Supply	240 / 400 VAC λ @ 40 A/phase
DyNet DC Output Voltage	12 VDC
DyNet DC Output Current	120 mA
Switched Outputs	12 x 10 A resistive
Output Channel Ratings	(See below)
Electrical Protection	12 x 10 A circuit breakers (Single pole thermal magnetic, 6 kA surge)
Maximum CH-CH Voltage	400 VAC
IEC Overvoltage Category	III

Control

Serial Ports	1 x RS-485
Supported Protocols	DyNet DMX Rx
DMX Rx Channels	12
Control Channel Outputs	12 (DALI Broadcast, DSI or 1-10 V)
Control Channel Ratings	(See below)
Dry Contact Inputs	1 (AUX)
User Input	1 x service switch 12 x channel override
Indicators	1 x diagnostic LED 12 x channel status LED
Diagnostic Functions	Device online/offline status

Physical

Dimensions (H x W x D)	458 x 253 x 140 mm (18.31 x 9.96 x 5.51 in)
RCBO Versions:	585 x 252 x 126 mm (23.03 x 9.92 x 4.96 in)
Packed Weight	10.25 kg (22.60 lb)
Construction	Polycarbonate DIN rail enclosure (12 unit)
Serial Ports	1 x RJ12 1 x 6-way pluggable screw terminal
Serial Port Conductor Size	2.5 mm ² (#12 AWG) (max)
Supply Terminals	3 x screw terminal
Supply Terminal Conductor Size	10 mm ² (#8 AWG) (max)
Control Terminals	24 x screw terminal
Control Terminal Conductor Size	5 mm ² (#10 AWG) (max)
Output Terminals	12 x screw terminal
Output Terminal Conductor Size	16 mm ² (#6 AWG) (max)
Earth Bar Terminals	14 x screw terminal
Earth Bar Terminal Conductor Size	2 x 16 mm ² (#6 AWG) (max) 12 x 5 mm ² (#10 AWG) (max)
Neutral Bar Terminals	15 x screw terminal
Neutral Bar Terminal Conductor Size	1 x 16 mm ² (#6 AWG) (max) 14 x 5 mm ² (#10 AWG) (max)

Environment

Operating Temperature	0° to 50°C ambient (32° to 122°F)
Storage/Transport Temperature	-25° to 70°C ambient (-13° to 158°F)
Relative Humidity	0 to 95% non-condensing
IEC Pollution Degree	II

Compliance

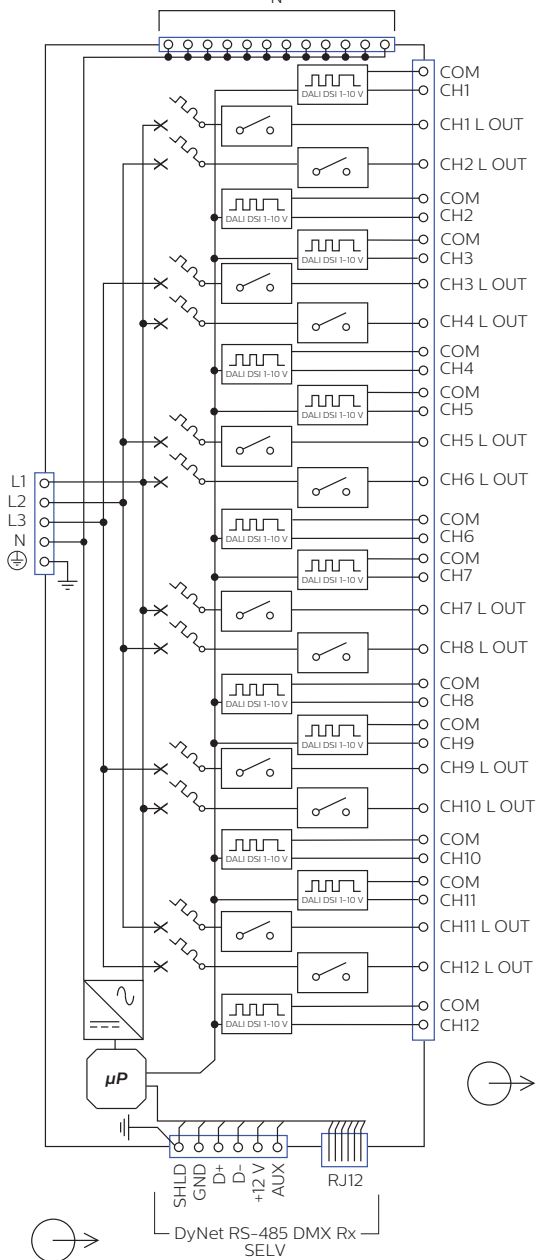
Certification	CE, RCM, RoHS
---------------	---------------



Electrical



1 ~ 240 V ~ 63 A
 3 ~ 240 / 400 V ~ 3 x 40 A



12 V = 120 mA

Control Channel Ratings

DALI/DSI	Channel	Device
Output Voltage	12 VDC	
Guaranteed Current	128 mA	
Maximum Current	250 mA	
Maximum Drivers	64	400
Insulation	Basic	
1-10 V	Channel	
Current	sink 50 mA source 50 mA	

Output Channel Ratings

Load Type	Maximum Rating per Output
	CH1-CH12
Electronic Ballast*	10 A, 240 VAC
Inrush Current	500 A

* Load de-rating may need to be applied to avoid nuisance circuit breaker tripping.

Ordering Code

Product	Philips 12NC
DBC1210 (Standard product)	913703036009
DBC1210-A (Additional DyNet/DMX512 Port)	913703036109
DBC1210-RCBO (Earth leakage/overload protection)	913703036509
DBC1210-A-RCBO (Additional Port & RCBO)	913703033009

