



# DBC1220GL

Signal Dimmer Controller

Wall mount multi-protocol control solution for large lighting loads

The Philips Dynalite DBC1220GL is a 12-channel signal dimmer controller, featuring a maximum of load of 20 A per channel and a total device load of 180 A. It is designed for use with DALI, 1-10 V and DSI dimmable drivers and transformers.

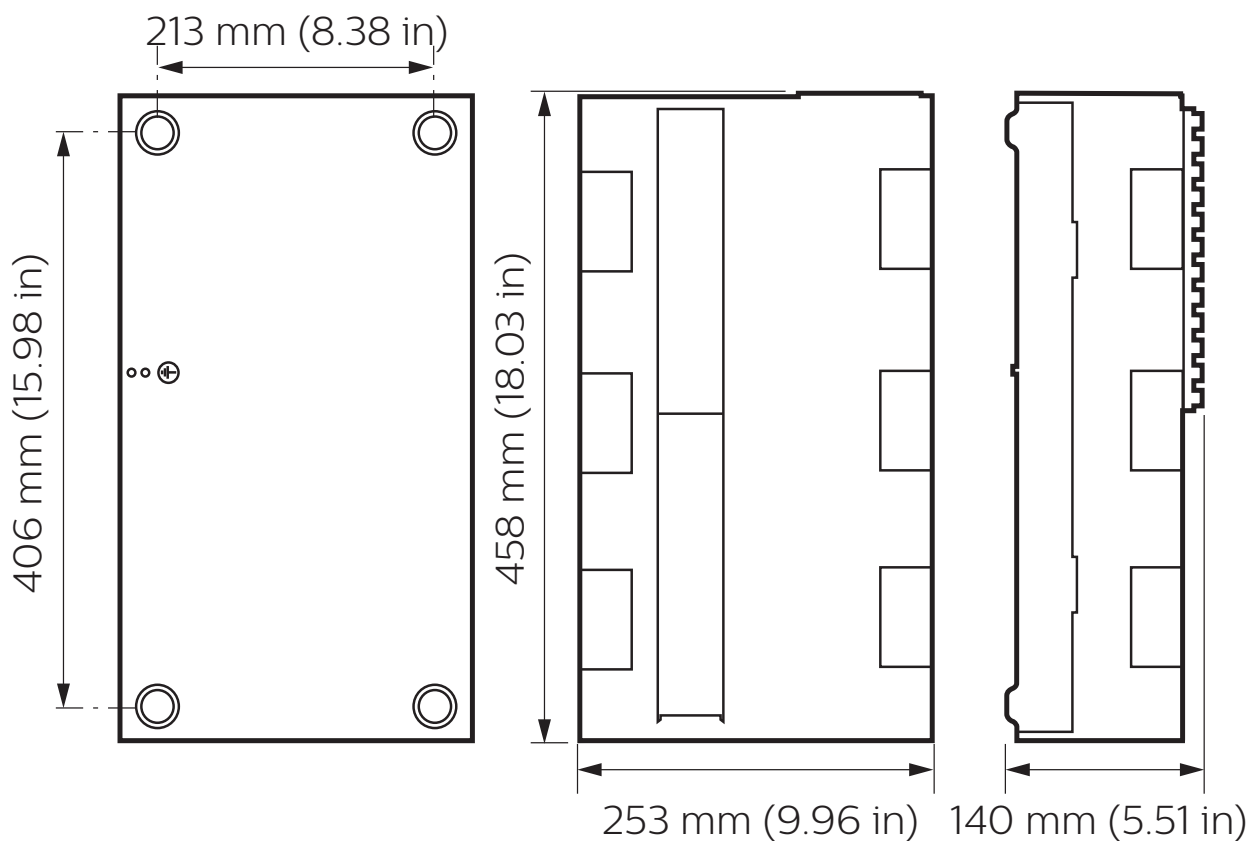
# DBC1220GL

Wall mount multi-protocol control solution for large lighting loads

- **Multiple protocols supported** – Compatible with a range of fittings and devices including; DSI drivers, DSI electronic low voltage transformers, DALI drivers (broadcast mode only), DALI electronic low voltage transformers (broadcast mode only), 1-10 V drivers and other switched loads.
- **Service override switch** – Incorporated as standard, forces all channels to 100%.
- **Inbuilt diagnostic functionality** – Features Device Online/Offline status indication.
- **Options available** – Including an additional RS-485 DyNet/DMX512 port, and earth leakage and overload protection on each channel.

---

## Dimensions



# Specifications

Due to continuous improvements and innovations, specifications may change without notice.



**DBC1220GL**  
Signal Dimmer Controller

## Electrical

Supply Type	Single-Phase Three-phase
Single-Phase Supply	240 VAC @ 63 A
Three-Phase Supply	240 / 400 VAC $\Delta$ @ 63 A/phase
DyNet DC Output Voltage	12 VDC
DyNet DC Output Current	120 mA
Switched Outputs	12 x 20 A resistive
Electrical Protection	12 x 20 A circuit breakers (Single pole thermal magnetic, 6 kA surge)
Maximum Device Load	180 A
Maximum CH-CH Voltage	400 VAC
IEC Overvoltage Category	III

## Control

Serial Ports	1 x RS-485
Supported Protocols	DyNet DMX Rx
DMX Rx Channels	12
Control Channel Outputs	12 (DALI Broadcast, DSI or 1-10 V)
Dry Contact Inputs	1 (AUX)
User Input	1 x service override switch (Forces all channels to 100%)
Indicators	1 x diagnostic LED
Diagnostic Functions	Device online/offline status

## Physical

Dimensions (H x W x D)	458 x 253 x 140 mm (18.31 x 9.96 x 5.51 in)
RCBO Versions:	585 x 252 x 126 mm (23.03 x 9.92 x 4.96 in)
Packed Weight	10.25 kg (22.60 lb)
Construction	Polycarbonate DIN rail enclosure (12 unit)
Serial Ports	1 x RJ12 1 x 6-way pluggable screw terminal
Serial Port Conductor Size	2.5 mm <sup>2</sup> (#12 AWG) (max)
Supply Terminals	3 x screw terminal
Supply Terminal Conductor Size	10 mm <sup>2</sup> (#8 AWG) (max)
Control Terminals	24 x screw terminal
Control Terminal Conductor Size	5 mm <sup>2</sup> (#10 AWG) (max)
Output Terminals	12 x screw terminal
Output Terminal Conductor Size	16 mm <sup>2</sup> (#6 AWG) (max)
Earth Bar Terminals	14 x screw terminal
Earth Bar Terminal Conductor Size	2 x 16 mm <sup>2</sup> (#6 AWG) (max) 12 x 5mm <sup>2</sup> (#10 AWG) (max)
Neutral Bar Terminals	14 x screw terminal
Neutral Bar Terminal Conductor Size	1 x 16 mm <sup>2</sup> (#6 AWG) (max) 13 x 5 mm <sup>2</sup> (#10 AWG) (max)

## Environment

Operating Temperature	0° to 40°C ambient (32° to 104°F)
Storage/Transport Temperature	-25° to 70°C ambient (-13° to 158°F)
Relative Humidity	0 to 90% non-condensing
IEC Pollution Degree	II

## Compliance

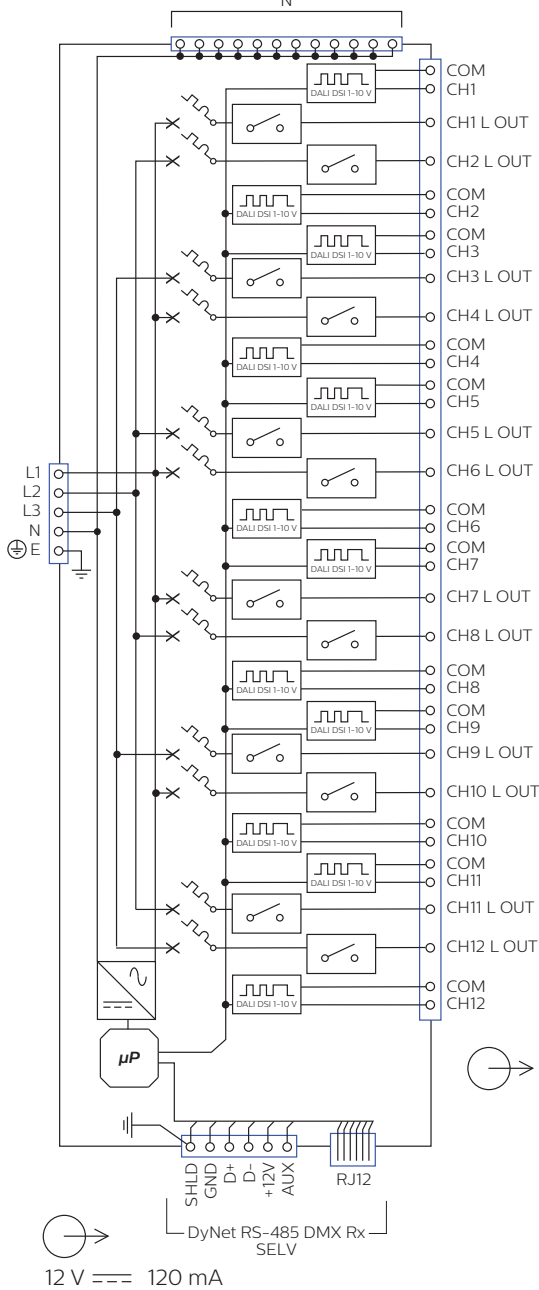
Certification	CE, RCM, RoHS
---------------	---------------



# Electrical



1 ~ 240 V ~ 63 A  
 3 ~ 240 / 400 V ~ 3 x 63 A



12 V --- 120 mA

# Control Channel Ratings

DALI/DSI	Channel	Device
Output Voltage	12 VDC	
Guaranteed Current	128 mA	
Maximum Current	250 mA	
Maximum Drivers	64	400
Insulation	Basic	
<hr/>		
1-10 V	Channel	
Current	sink 50 mA	source 50 mA

# Output Channel Ratings

Load Type	Maximum Rating per Output
	CH1-CH12
Electronic Ballast*	20 A, 240 VAC
Inrush Current	500 A

\* Load de-rating may need to be applied to avoid nuisance circuit breaker tripping.

# Ordering Code

Product	Philips 12NC
DBC1220GL (Standard product)	913703038009
DBC1220GL-A (Additional DyNet/DMX512 Port)	913703038109
DBC1220GL-RCBO (Earth leakage/overload protection)	913703038509
DBC1220GL-A-RCBO (Additional Port & RCBO)	913703032809

