



DDBC1200

Signal Dimmer Controller

Multi-protocol control solution

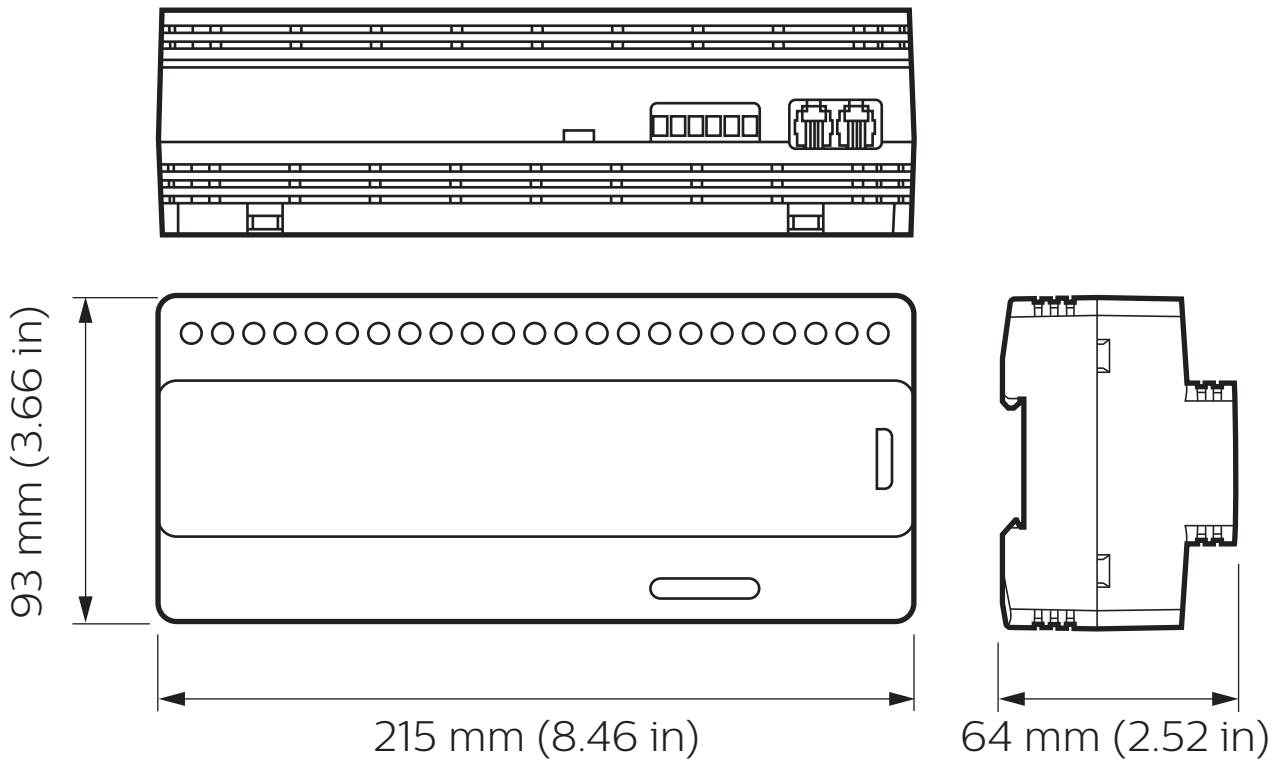
The Philips Dynalite DDBC1200 features 12 independent output channels, each selectable to DALI Broadcast, 1-10 V or DSI. The device can also be linked to a separate relay module for control of 1-10 V drivers.

DDBC1200

Multi-protocol control solution

- **Multiple protocols supported** – Compatible with a range of fittings and devices including; DSI drivers, DSI electronic low voltage transformers, DALI drivers (broadcast mode only), DALI electronic low voltage transformers (broadcast mode only), 1-10 V drivers and devices that require 0-10 V analog control signals.
- **LED status indicators** – Instant visual feedback on channel status of all 12 outputs.
- **Flexible mounting solution** – A DIN-rail mountable device, designed to be installed into the distribution board supplying power to the controlled lighting circuit.
- **Inbuilt diagnostic functionality** – Features Device Online/Offline status indication.

Dimensions



Specifications

Due to continuous improvements and innovations, specifications may change without notice.



DDBC1200
Signal Dimmer Controller

Electrical

Supply Type	Single-Phase
Supply Voltage	100–240 VAC
Supply Current	0.5 A
DyNet DC Output Voltage	12 VDC
DyNet DC Output Current	200 mA
IEC Overvoltage Category	III

Control

Serial Ports	1 x RS-485
Supported Protocols	DyNet DMX Rx
DMX Rx Channels	12
Control Channel Outputs	12 (DALI Broadcast, DSI or 1-10 V)
Dry Contact Inputs	1 (AUX)
User Input	1 x service switch 12 x channel override
Indicators	1 x diagnostic LED 12 x channel status LED
Diagnostic Functions	Device online/offline status

Physical

Dimensions (H x W x D)	93 x 215 x 64 mm (3.66 x 8.46 x 2.52 in)
Packed Weight	0.54 kg (1.19 lb)
Construction	Polycarbonate DIN rail enclosure (12 unit)
Serial Ports	2 x RJ12 1 x 6-way pluggable screw terminal
Serial Port Conductor Size	2.5 mm ² (#12 AWG) (max)
Supply Terminals	3 x screw terminal Line, Neutral, Earth
Supply Terminal Conductor Size	5 mm ² (#10 AWG) (max)
Control Terminals	12 x 2-way screw terminal DA-, DA+
Control Terminal Conductor Size	5 mm ² (#10 AWG) (max)

Environment

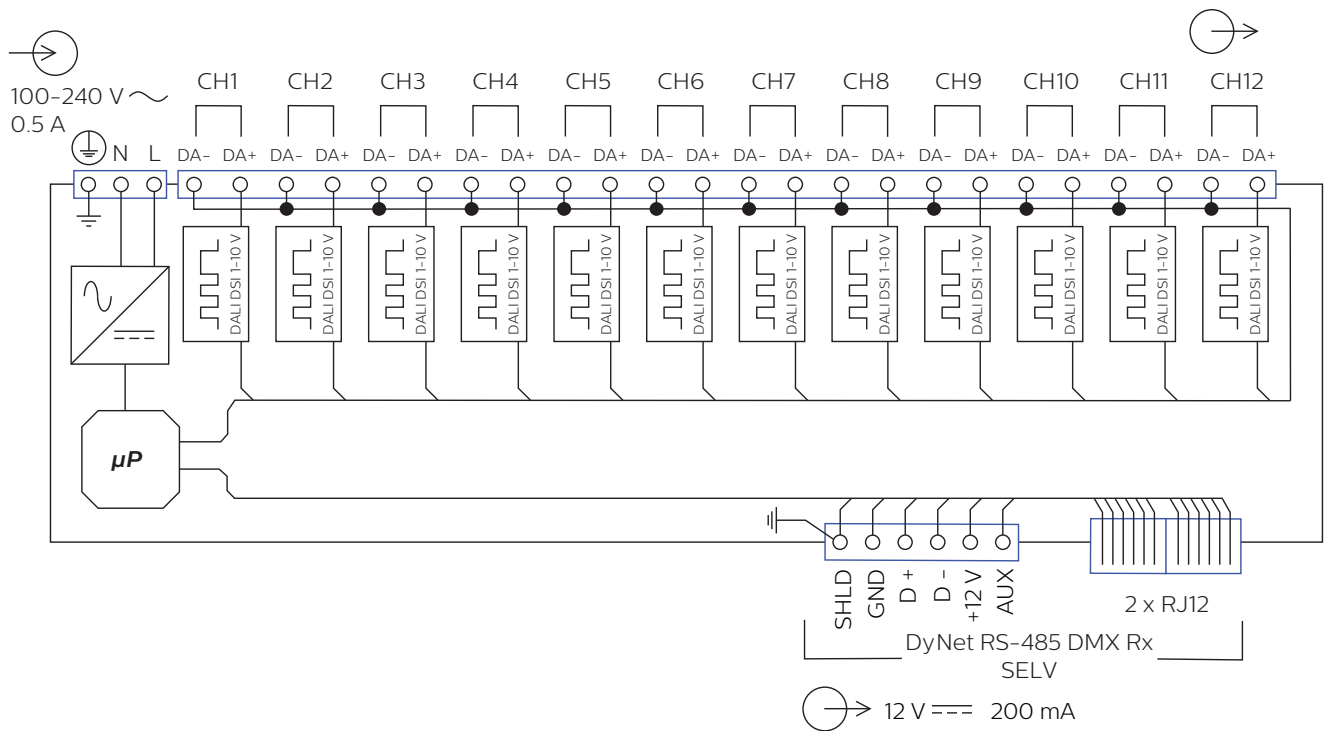
Operating Temperature	0° to 40°C ambient (32° to 104°F)
Storage/Transport Temperature	-25° to 70°C ambient (-13° to 158°F)
Relative Humidity	0 to 90% non-condensing
IEC Pollution Degree	II

Compliance

Certification	CE, RCM, RoHS
---------------	---------------



Electrical



Control Channel Ratings

DALI/DSI	Channel	Device
Output Voltage	14 VDC	
Guaranteed Current	160 mA	
Maximum Current	250 mA	
Maximum DALI Drivers	80	300
Maximum DSI Drivers	100	375
Insulation	Basic	
1-10 V	Channel	
Current	sink 50 mA source 50 mA	

Ordering Code

Product
DDBC1200

Philips 12NC
913703035109

