



DDBC300-DALI

DALI Driver Controller

Cost-effective DALI control solution

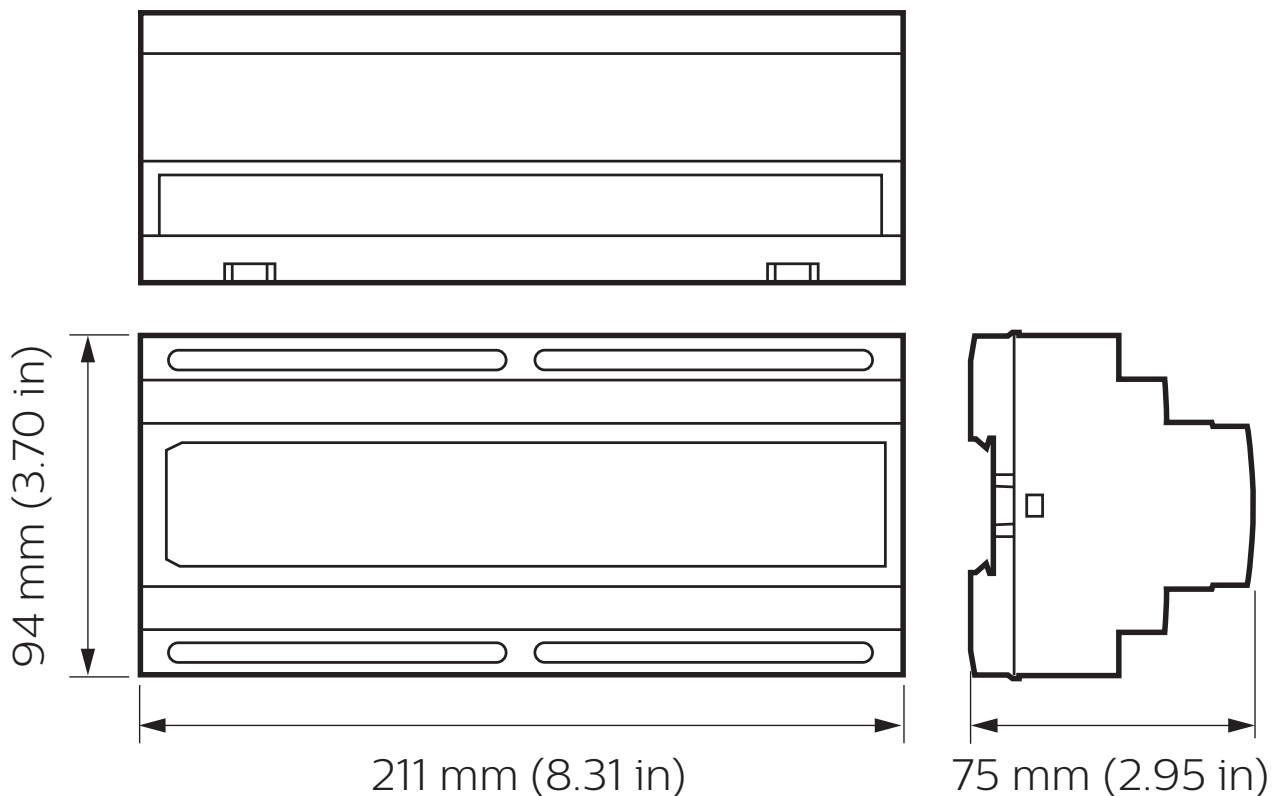
The Philips Dynalite DDBC300-DALI delivers cost-effective control of DALI drivers through provision of three full universes totaling 192 DALI addresses.

DDBC300-DALI

Cost-effective DALI control solution

- **Compatible with a range of DALI fittings and devices** – Including DALI drivers, DALI electronic low voltage transformers and DALI LED fixtures.
- **Fully scalable network solution** – Direct mapping from DALI to the DyNet network protocol eliminates DALI imposed limits, such as maximum group sizes.
- **Flexible mounting solution** – A DIN-rail mountable device, designed to be installed into the distribution board supplying power to the controlled lighting circuit.
- **Integral DALI bus power supply** – Removes the need for provision of a separate external power supply and reduces distribution board wiring complexity.
- **Inbuilt diagnostic functionality** – Features lamp and driver failure reporting, driver run time tracking for each driver and Device Online/Offline status indication.

Dimensions



Specifications

Due to continuous improvements and innovations, specifications may change without notice.



DDBC300-DALI
DALI Driver Controller

Electrical

Supply Type	Single-Phase
Supply Voltage	100-240 VAC
Supply Current	0.5 A
DyNet DC Output Voltage	12 VDC
DyNet DC Output Current	200 mA
IEC Overvoltage Category	III

Control

Serial Ports	1 x RS-485
Supported Protocols	DyNet DMX Rx
DMX Rx Channels	3
Control Channel Outputs	3 x DALI
Dry Contact Inputs	1 (AUX)
User Input	1 x service switch
Indicators	1 x diagnostic LED
Diagnostic Functions*	Lamp failure reporting Driver failure reporting Driver runtime tracking Device online/offline status

Physical

Dimensions (H x W x D)	94 x 211 x 75 mm (3.70 x 8.31 x 2.95 in)
Packed Weight	0.49 kg (1.08 lb)
Construction	Polycarbonate DIN rail enclosure (12 unit)
Serial Ports	1 x RJ12 1 x 6-way pluggable screw terminal
Serial Port Conductor Size	2.5 mm ² (#12 AWG) (max)
Supply Terminals	3 x screw terminal Line, Neutral, Earth
Supply Terminal Conductor Size	5 mm ² (#10 AWG) (max)
Control Terminals	3 x 2-way screw terminal DA-, DA+
Control Terminal Conductor Size	2.5 mm ² (#12 AWG) (max)
Loop Terminals	2 x screw terminal Loop IN, Loop OUT
Loop Terminal Conductor Size	5 mm ² (#10 AWG) (max)

Environment

Operating Temperature	0° to 40°C ambient (32° to 104°F)
Storage/Transport Temperature	-25° to 70°C ambient (-13° to 158°F)
Relative Humidity	0 to 90% non-condensing
IEC Pollution Degree	II

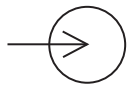
Compliance

Certification	CE, RCM, IEC62386, RoHS
---------------	-------------------------

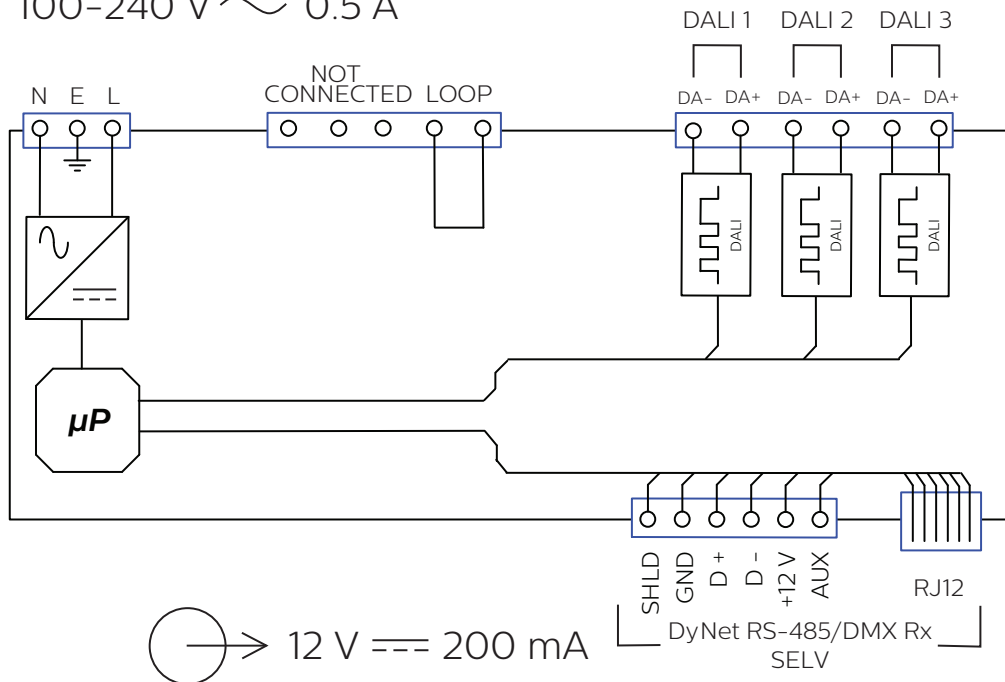
* Philips Dynalite System Manager required for analyzing diagnostic data. The availability of some diagnostics is dependent on driver type.



Electrical



100-240 V ~ 0.5 A



12 V = 200 mA

Control Channel Ratings

DALI	Channel	Device
Output Voltage	15 VDC	
Guaranteed Current	128 mA	
Maximum Current	250 mA	
Maximum Drivers	64	192
Insulation	Basic	

Ordering Code

Product

DDBC300-DALI

Philips 12NC

913703031109

