



DDBC320-DALI

DALI Driver Controller

Power saving DALI control solution

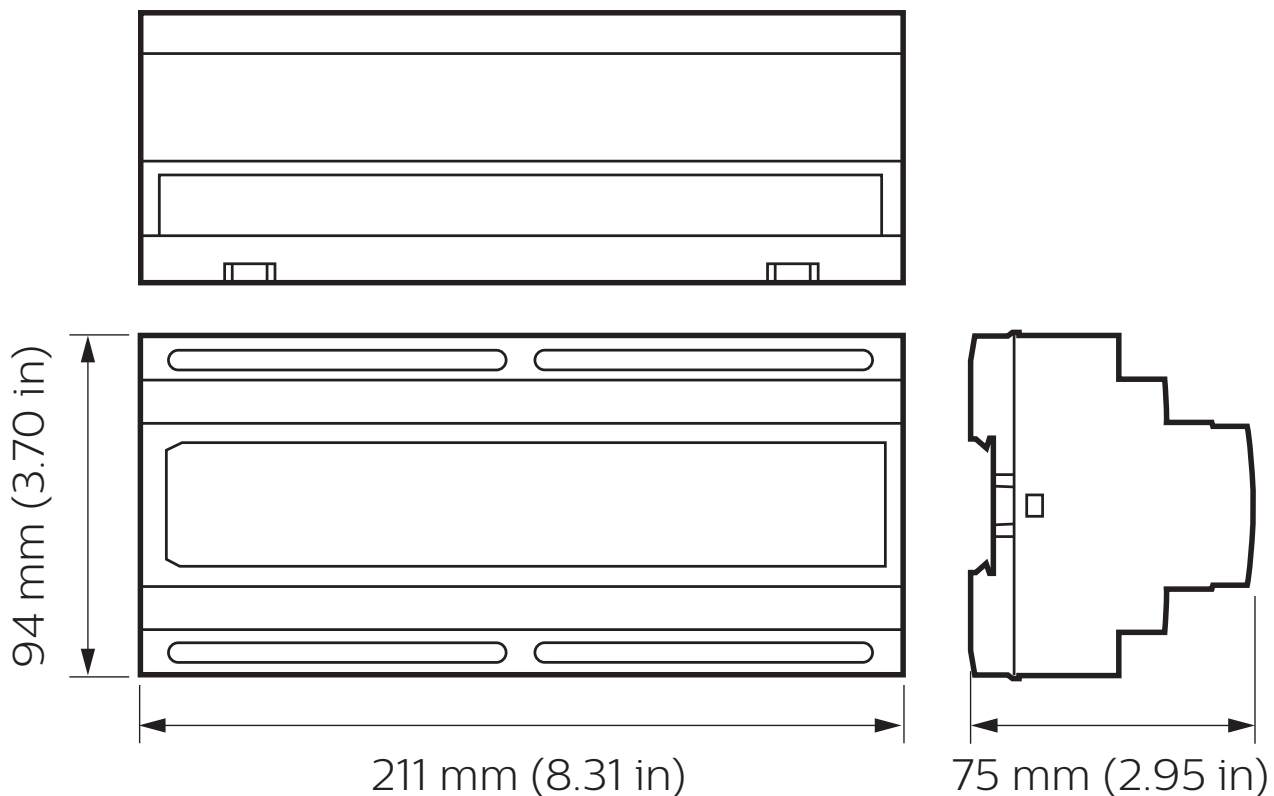
The Philips Dynalite DDBC320-DALI features three DALI outputs, allowing control of up to 192 DALI devices. It also features 3 x 20 A feed-through switched circuits for DALI driver mains supply.

DDBC320-DALI

Power saving DALI control solution

- **Compatible with a range of DALI fittings and devices** – Including DALI drivers, DALI electronic low voltage transformers and DALI LED fixtures.
- **Built-in energy savings** – Control signals can be programmed to operate in tandem with three internal switched outputs, which will automatically isolate the power circuit when all associated channels are at 0%. This is a useful feature as DALI drivers still draw significant power when lamps are turned off via a DALI command.
- **Fully scalable network solution** – Direct mapping from DALI to the DyNet network protocol eliminates DALI imposed limits, such as maximum group sizes.
- **Flexible mounting solution** – A DIN-rail mountable device, designed to be installed into the distribution board supplying power to the controlled lighting circuit.
- **Integral DALI bus power supply** – Removes the need for provision of a separate external power supply and reduces distribution board wiring complexity.
- **Inbuilt diagnostic functionality** – Features lamp and driver failure reporting, driver run time tracking for each driver and Device Online/Offline status indication.

Dimensions



Specifications

Due to continuous improvements and innovations, specifications may change without notice.



DDBC320-DALI
DALI Driver Controller

Electrical

Supply Type	Single-Phase
Supply Voltage	100-240 VAC
Supply Current	0.5 A
DyNet DC Output Voltage	12 VDC
DyNet DC Output Current	200 mA
Switched Outputs	3 x 20 A feed-through
Maximum CH-CH Voltage	400 VAC
IEC Overvoltage Category	III

Control

Serial Ports	1 x RS-485 3 x DALI
Supported Protocols	DyNet DMX Rx
DMX Rx Channels	3
Control Channel Outputs	3 x DALI
Dry Contact Inputs	1 (AUX)
User Input	1 x service switch
Indicators	1 x diagnostic LED
Diagnostic Functions*	Lamp failure reporting Driver failure reporting Driver runtime tracking Device online/offline status

Physical

Dimensions (H x W x D)	94 x 211 x 75 mm (3.70 x 8.31 x 2.95 in)
Packed Weight	0.49 kg (1.08 lb)
Construction	Polycarbonate DIN rail enclosure (12 unit)
Serial Ports	1 x RJ12 1 x 6-way pluggable screw terminal
Serial Port Conductor Size	2.5 mm ² (#12 AWG) (max)
Supply Terminals	3 x screw terminal Line, Neutral, Earth
Supply Terminal Conductor Size	5 mm ² (#10 AWG) (max)
DALI Terminals	3 x 2-way screw terminal DA-, DA+
DALI Terminal Conductor Size	4 mm ² (#11 AWG) (max)
Relay/Loop Terminals	3 x 2-way screw terminal Loop IN, Loop OUT
Relay/Loop Terminal Conductor Size	5 mm ² (#10 AWG) (max)

Environment

Operating Temperature	0° to 40°C ambient (32° to 104°F)
Storage/Transport Temperature	-25° to 70°C ambient (-13° to 158°F)
Relative Humidity	0 to 90% non-condensing
IEC Pollution Degree	II

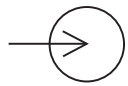
Compliance

Certification	CE, RCM, IEC62386, RoHS
---------------	-------------------------

* Philips Dynalite System Manager required for analyzing diagnostic data. The availability of some diagnostics is dependent on driver type.

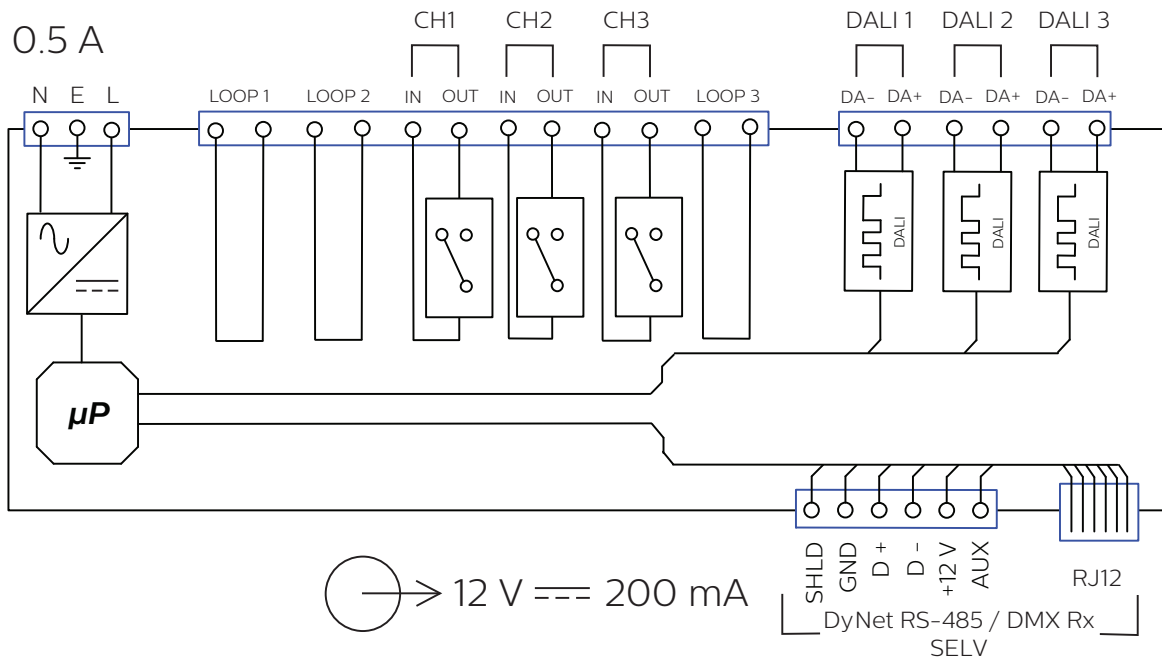


Electrical



100-240 V ~

0.5 A



Control Channel Ratings

DALI	Channel	Device
Output Voltage	15 VDC	
Guaranteed Current	128 mA	
Maximum Current	250 mA	
Maximum Drivers	64	192
Insulation	Basic	

Output Channel Ratings

Load Type	Maximum Rating per Output CH1-CH3
Electronic Ballast	20 A, 240 VAC
Inrush Current	500 A

Ordering Code

Product

DDBC320-DALI

Philips 12NC

913703031209

