



# DMRC210

Relay Controller

Luminaire mounted control of switched loads

The Philips Dynalite DMRC210 is a two-channel device that provides intelligent networked control of individual luminaires. The compact design enables mounting directly within the gear enclosure of many lighting fixtures.

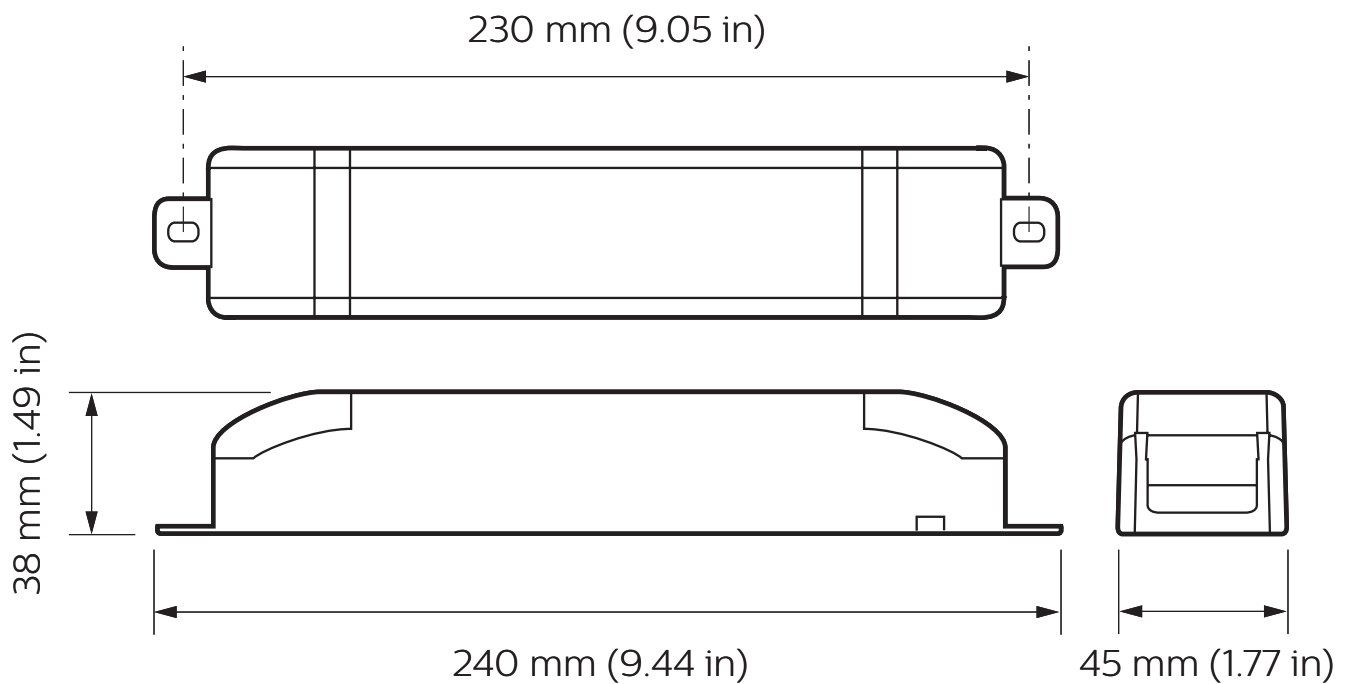
# DMRC210

## Luminaire mounted control of switched loads

- **Incorporates two relay outputs** – Used to control mains supply to the fixture.
- **Gear enclosure mounting** – Compact design allows the device to be mounted directly within the gear enclosure of many light fittings.
- **Fully rated device** – Robust relays provide reliable control of difficult lighting loads.
- **Inbuilt diagnostic functionality** – Features Device Online/Offline status indication.

---

## Dimensions



# Specifications

Due to continuous improvements and innovations, specifications may change without notice.



**DMRC210**  
Relay Controller

## Electrical

Supply Type	Single-phase
Supply Voltage	100–240 VAC
Supply Current	20 A
Outputs	2 x switched relay
Output Channel Current	10 A inductive (max)
Output Channel Ratings	(See Page 4)
DyNet DC Output Voltage	12 VDC
DyNet DC Output Current	150 mA (supply for approximately 7 user interfaces)

## Control

Serial Ports	1 x RS485
Supported Protocols	DyNet DMX Rx
DMX Rx Channels	2
Diagnostic Functions	Device online/offline status

## Physical

Dimensions (H x W x D)	38 x 240 x 45 mm (1.49 x 9.05 x 1.77 in)
Packed Weight	0.19 kg (0.42 lb)
Construction	Double-insulated ABS plastic
Serial Port Terminals	5 x screw terminal
Serial Port Conductor Size	2.5 mm <sup>2</sup> (#12 AWG) (max)
Supply Terminals	2 x screw terminal Line In, Neutral
Supply Terminal Conductor Size	5 mm <sup>2</sup> (#10 AWG) (max)
Load Terminals	3 x screw terminal Line Out 1, Line Out 2, Neutral
Load Terminal Conductor Size	5 mm <sup>2</sup> (#10 AWG) (max)

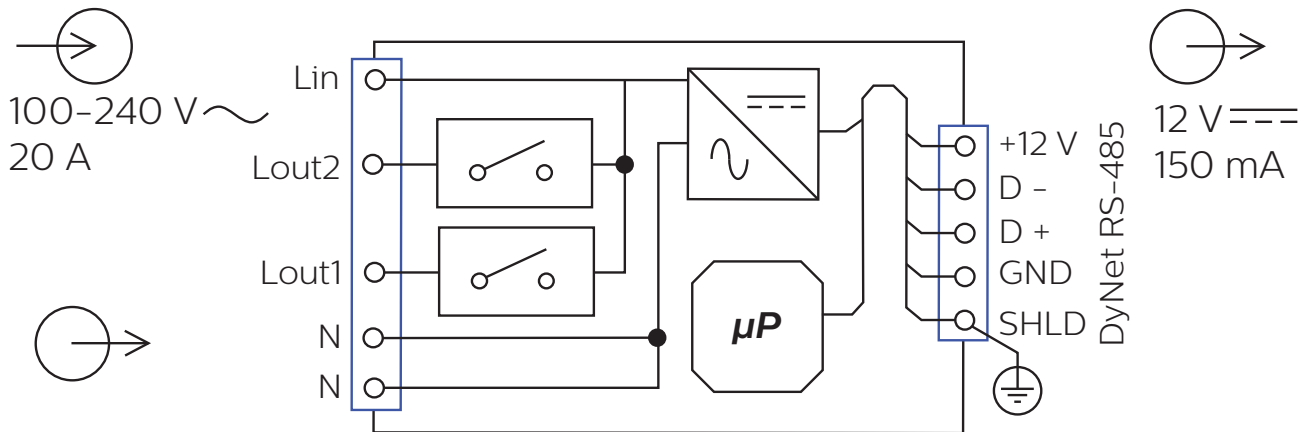
## Environment

Operating Temperature	0° to 50°C ambient (32° to 122°F)
Storage/Transport Temperature	-25° to 70°C ambient (-13° to 158°F)
Humidity	0 to 90% non-condensing
IEC Pollution Degree	II

## Compliance

Certification	CE, RCM, RoHS
---------------	---------------

## Electrical



## Output Channel Ratings

Load Type	Maximum Rating per Output
	CH1, CH2
General Use	10 A, 240 VAC
Incandescent	5 A, 240 VAC
Electronic Ballast	3 A, 240 VAC
Inrush Current	165 A

## Ordering Code

**Product**  
DMRC210

**Philips 12NC**  
913703050009

