



# DTK622-USB

PC Node

## PC connection node

The Philips Dynalite DTK622-USB is a PC node that provides a connection to a PC using a USB connection.

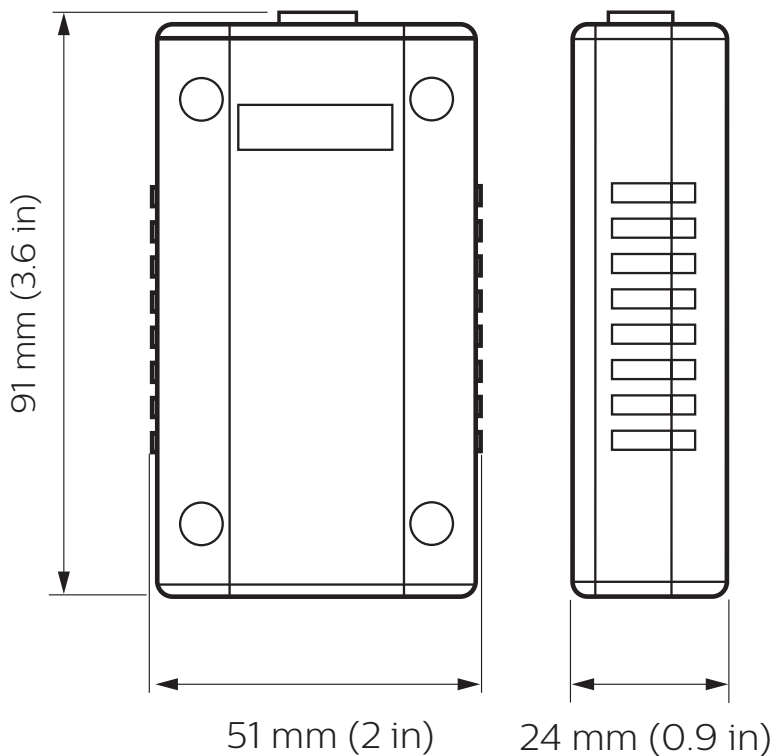
# DTK622-USB

## PC connection node

- **Useful interface for any PC** – Complete access to all network messages present on the DyNet network.
- **Commissioning and maintenance tool** – To be used in conjunction with any of the Philips Dynalite software, this PC node can be used to commission, diagnose or repair with Philips Dynalite System Builder.
- **Permanent PC connection** – Can be used as a permanent gateway to the system for the Philips Dynalite System Manager head-end software.
- **Complete solution** – Includes USB flash drive with the required drivers.

---

## Dimensions



# Specifications

Due to continuous improvements and innovations, specifications may change without notice.



**DTK622-USB**  
PC Node

## Electrical

Supply Type	DyNet
Supply Voltage	12 VDC
Supply Current	20 mA
IEC Overvoltage Category	III

## Control

Serial Ports	2 x RS-485 1 x USB
Supported Protocols	DyNet
Indicators	1 x DyNet power LED

## Physical

Dimensions (H x W x D)	24 x 51 x 91 mm (0.9 x 2.0 x 3.6 in)
Packed Weight	94 g (0.2 lb)
Construction	ABS plastic
Serial Ports	2 x RJ12 1 x USB type-B

## Environment

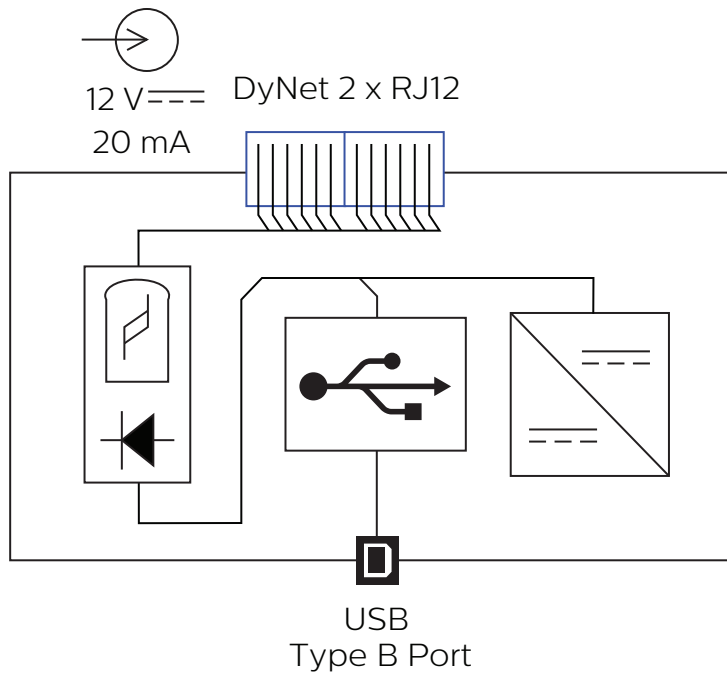
Operating Temperature	0° to 40°C ambient (32° to 104°F)
Storage/Transport Temperature	-25° to 60°C ambient (-13° to 140°F)
Humidity	0 to 90% non-condensing
IEC Pollution Degree	II

## Compliance

Certification	CE, RCM, RoHS
---------------	---------------



## Electrical



## Ordering Code

### Product

DTK622-USB

### Philips 12NC

913703090209

### Accessories (Supplied)

1 x USB Cable (type-A to type-B)

1 x RJ12 Cable

1 x 5-pin RJ12 dingus

