

Technical Sheet For KNX Smart Touch V50

CHTF-5.0/15.3.2x



The worldwide STANDARD for home and building control

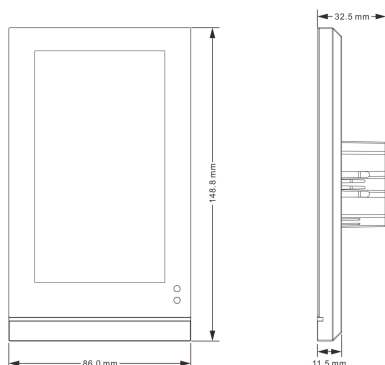
CHARACTERISTICS

- 5 inch color IPS, 480x854 resolution, capacitive touch screen
- With switching, dimming, curtains control, scene and value send functions
- HVAC thermostat function, Floor heating and Ventilation System control
- Air conditioner, for IR Split Unit and Gateway Integrate control type
- Background Music control
- RGB and RGBW dimming, RGBW with color temperature setting
- Air quality display, with PM2.5, AQI, CO2, VOC etc.
- Energy Metering display, with current, voltage, power, energy.
- 16 Time functions, 8 Event Group functions
- 8 Logic functions, with AND, OR, XOR, Gate forwarding, Threshold comparator, and Format convert
- Proximity sensor, Screen brightness setting, Touch vibration feedback
- Colorful strip indication
- Time and Date display, Temperature and Humidity display, Day/Night status send
- Password protection, Panel block, and Screen saver with clock, album, or none
- Main page navigation function

PARAMETERS

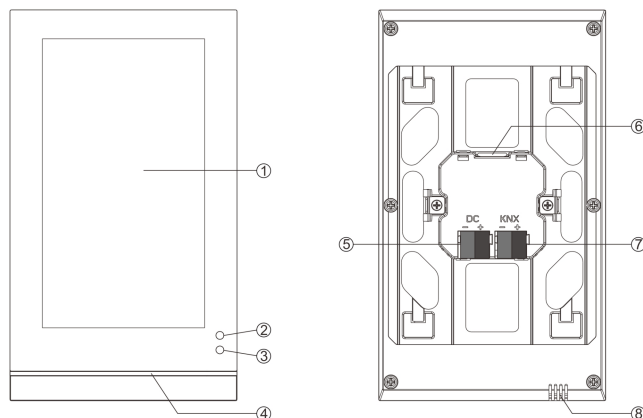
Bus supply	Bus voltage	21-30V DC, Via KNX bus
	Bus current	3.5mA/24V DC, 3.0mA/30V DC
	Bus consumption	<90mW
Auxiliary supply	Voltage	24-30V DC
	Current	<150mA/24V DC, <120mA/30V DC
	Consumption	<3.6W
Connections	KNX	Bus connection terminal
	Auxiliary supply	KNX auxiliary connection terminal
Installation	In a conventional 80mm or 86 mm wiring box	
Temperature	Operation	- 5 °C ... + 45 °C
	Storage	-25 °C ... + 55 °C
	Transport	- 25 °C ... + 70 °C
Proximity sensor	Approximately 30cm	

DIMENSIONS




Model	Dimension	Weight
CHTF-5.0/15.3.2x	Panel: 86 x 148.8 x 11.5mm (32.5mm)	0.3kg

DESCRIPTIONS



- ① Touch and display area
- ②③ Proximity sensor
- ④ Colorful strip
- ⑤ Auxiliary supply connection terminal
- ⑥ SD card slot
- ⑦ KNX bus connection terminal
- ⑧ Internal temperature sensor

Note: The programming of the physical address needs to be entered into the setting interface of the screen. Click the icon  on the screen to enter the setting interface, then click "General para." to enter the general parameter setting interface. Here you can set "KNX programming" item, and turn the programming mode on or off via the switch button on the right. When the programming mode is turned on, the Colorful strip lights red. After exiting the programming mode, the Colorful strip returns to the indication that is configured via parameters.

INSTALLATION FIGURE

KNX Smart Touch V50 can be installed in a conventional 80mm or 86 mm wiring box. It requires not only KNX bus powered, but also requires a 24- 30V DC auxiliary power supply. It is available to assign the physical address by engineering design tools ETS with .knxprod (higher than edition ETS 5.7). Must ensure that the device operation, testing, detecting, maintenance correctly.

Touch panel should be installed approximately 120~140cm above the floor and 15~20cm from the door frame.

Touch panel must not be exposed to direct contact with liquids.

IMPORTANT INFORMATION

Installation and commissioning of the device may only be carried out by trained electricians. The relevant standards, directives, regulations and instructions must be observed when planning and implementing the electrical installation.

● Protect the device against moisture, dirt and damage during transport, storage and operation!

● Do not operate the device outside the specified technical data (e.g. temperature range)!

Should the device become soiled, it may be cleaned with a dry cloth. If this does not suffice, a cloth lightly moistened with soap solution may be used. On no account should caustic agents or solvents be used.