

2CKA001473B9437 | 24.01.2018

Product manual

ABB-tacteo ABB i-bus[®] KNX

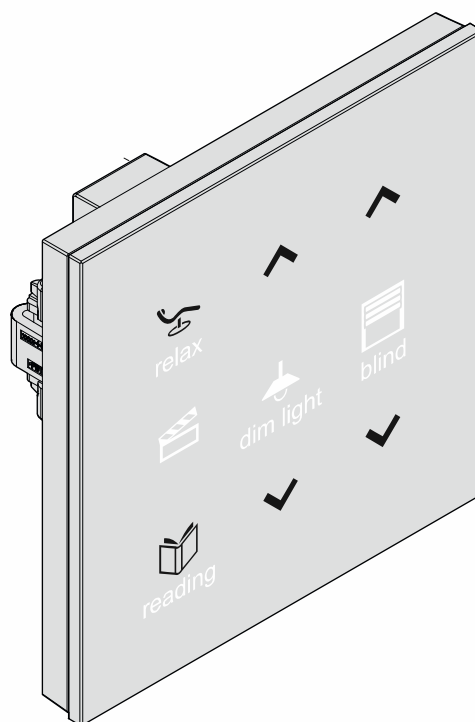
TB/U1.x.x-xx Control element 1gang incl. BAU

TB/U2.x.x-xx Control element 2gang incl. BAU

TB/U4.x.x-xx Control element 4gang incl. BAU

TB/U6.x.x-xx Control element 6gang incl. BAU

TB/U12.x.x-xx Control element 12gang incl. BAU



4.2 Device overview

4.2.1 Overview

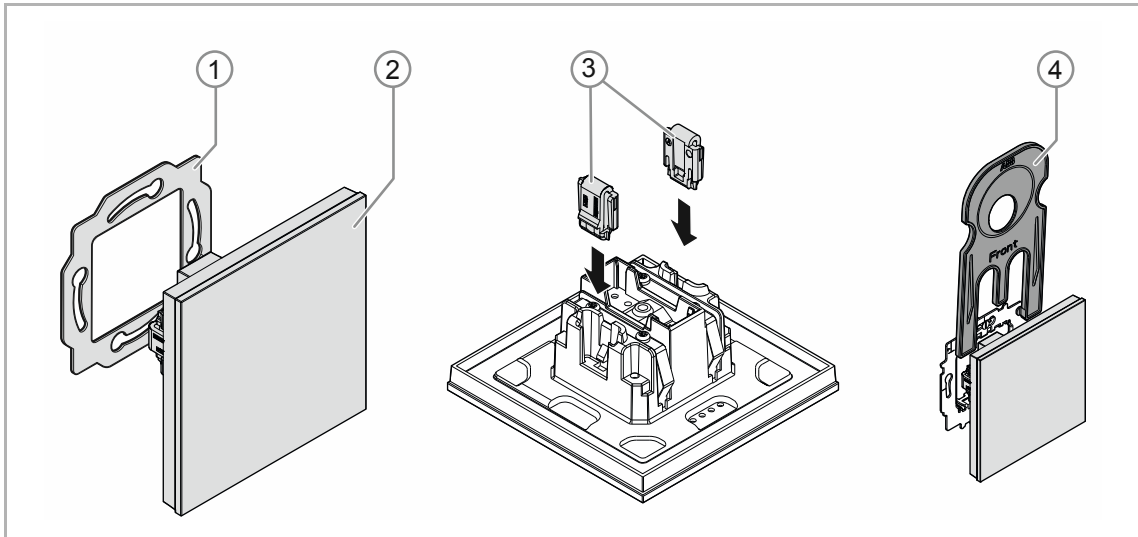


Fig. 1: Product overview

- [1] Support ring [1]
- [2] Flush-mounted insert with control element [2] (firmly installed unit)
- [3] Clamps of removal protection [3] (optional)
- [4] Removal tool [4] (optional)

4.2.2 Versions

The control element is available in models 1-, 2-, 3-, 4-, 6-, 12gang.

- Available are the preconfigured standard versions.
- Alternative to the standard versions, the control elements can be designed for the required functions via the ABB-tacteo configurator. The buttons can be additionally fitted with text if required.

The functionality, method of operation and installation/dismantling is identical for all models.

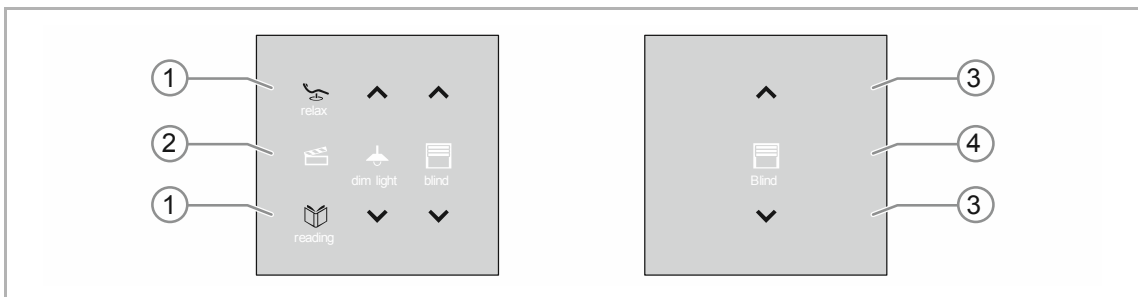


Fig. 2: Models of control elements (examples)

- [1] Buttons for 6gang control elements
- [2] Status indication for 6gang control elements
- [3] Buttons for 2gang control elements
- [4] Status indication for 2gang control elements

4.2.3 Support rings

The support rings are partly different from country to country. The correct support ring is supplied according to country.

Country-specific support rings are for example:

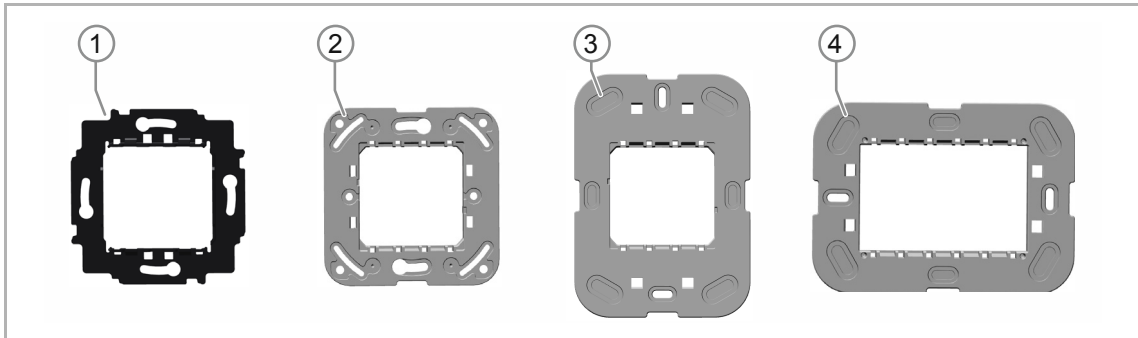


Fig. 3: Country-specific support rings

- [1] VDE Germany
- [2] Switzerland / British standard (BS)
(The support ring for Switzerland is supplied without earth terminal)
- [3] NEMA
- [4] Italy

4.3 Functions

The following table provides an overview of the possible functions and applications of the device:

Special features	Function
<ul style="list-style-type: none"> ▪ Orientation illumination (primary function) ▪ Configurable covers ▪ Configurable icons and/or text ▪ Function illumination ▪ Freely programmable ▪ LED colour concept ▪ Proximity function ▪ Day/night switchover of the LEDs ▪ Integrated temperature sensor ▪ Comprehensive application program 	<ul style="list-style-type: none"> ▪ Switching ▪ Dimming ▪ Blind ▪ Value transmitter ▪ Light scene extension unit ▪ Multiple operation ▪ Step switch ▪ Short/long operation ▪ Logic functions (separate logic and value objects) ▪ Among others

Table 1: Overview of functions

4.4 Scope of supply

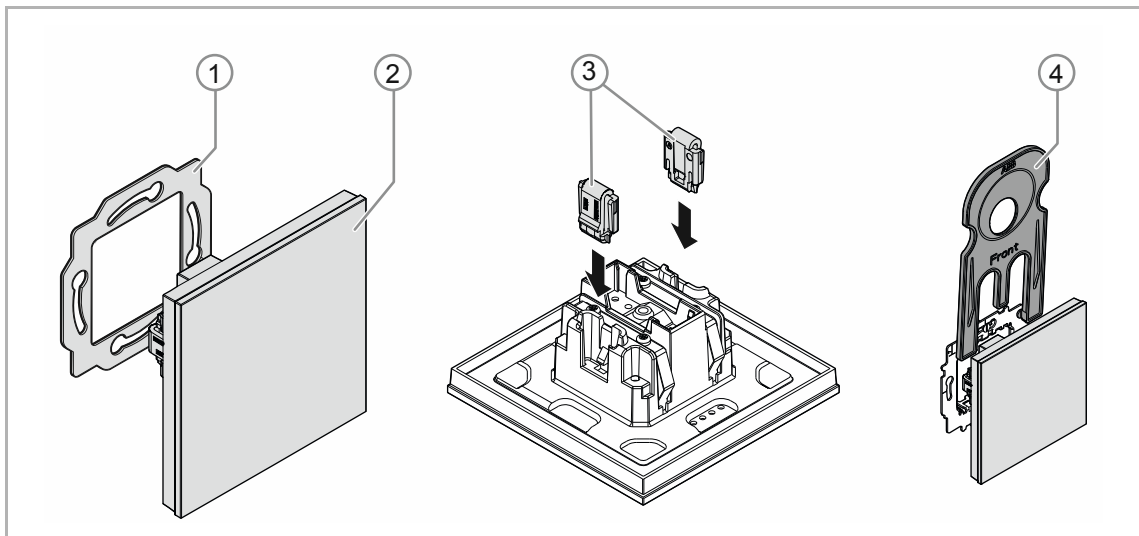


Fig. 4: Scope of delivery

Included in the scope of delivery are:

- Support ring [1]
- Flush-mounted insert with control element [2] (firmly installed unit)
- Clamps of removal protection [3] (optional)
- Removal tool [4] (optional)



Note

- Additional information about possible device versions is available in the electronic catalogue (www.busch-jaeger-catalogue.com).

4.5 Overview of types

Models of control elements preconfigured or freely configurable

Article no.	Product name
TB/U1.x.x-xx	Control element 1gang incl. BAU <ul style="list-style-type: none"> ▪ Square ▪ Vertical ▪ Horizontal
TB/U2.x.x-xx	Control element 2gang incl. BAU <ul style="list-style-type: none"> ▪ Square with vertical printing ▪ Square with horizontal printing ▪ Vertical with horizontal printing ▪ Horizontal with vertical printing
TB/U4.x.x-xx	Control element 4gang incl. BAU <ul style="list-style-type: none"> ▪ Square with vertical printing ▪ Square with horizontal printing ▪ Vertical with horizontal printing ▪ Horizontal with vertical printing
TB/U6.x.x-xx	Control element 6gang incl. BAU <ul style="list-style-type: none"> ▪ Square with vertical printing ▪ Square with horizontal printing ▪ Vertical with horizontal printing ▪ Horizontal with vertical printing
TB/U12.x.x-xx	Control element 12gang incl. BAU <ul style="list-style-type: none"> ▪ Vertical with horizontal printing ▪ Horizontal with vertical printing

Table 2: Models of control elements preconfigured or freely configurable

5 Technical data

5.1 Technical data

Designation	Value
Power supply:	24 V DC (via bus line)
KNX connection	
▪ Bus connecting terminal, screwless:	0.6 - 0.8 mm
▪ Line type:	J-Y(St)Y, 2 x 2 x 0.8 mm
▪ Wire stripping:	5 - 6 mm
Bus subscribers:	1 (≤ 12 mA)
Temperature range:	-5°C to +45°C
Storage temperature:	-20°C to +70°C
Protection type:	IP 20

Table 3: Technical data

5.2 Dimensional drawings

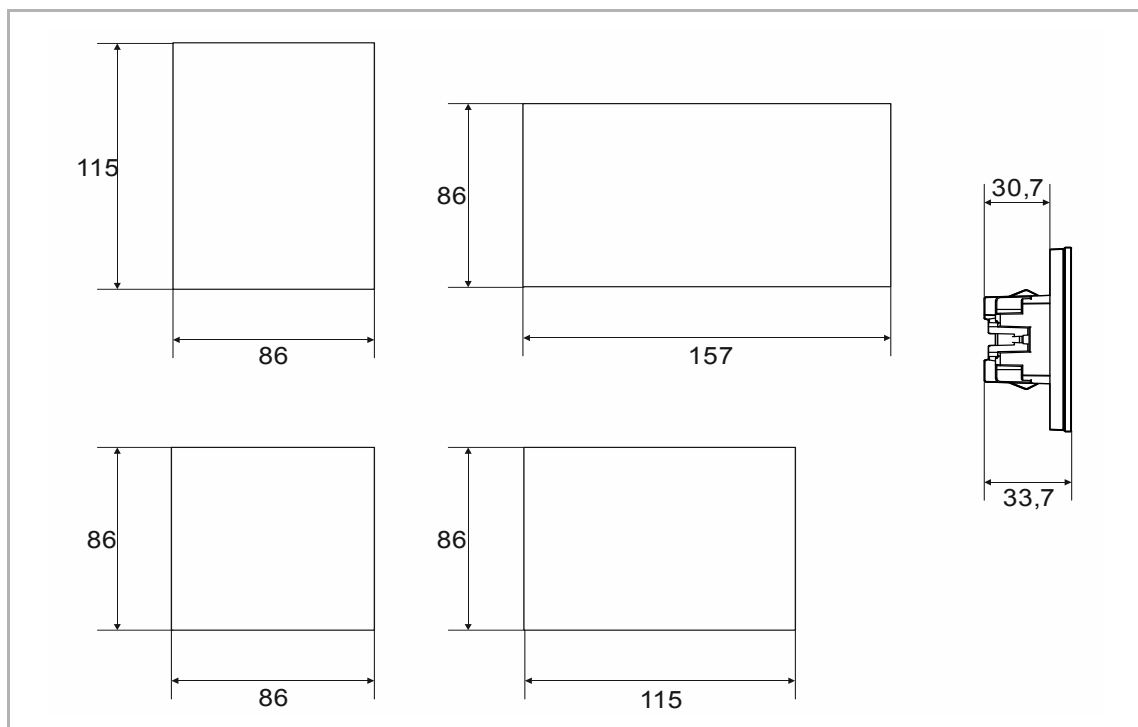


Fig. 5: Dimensions (all dimensions are in mm)

A member of the ABB Group

Busch-Jaeger Elektro GmbH

PO box
58505 Lüdenscheid

Freisenbergstraße 2
58513 Lüdenscheid

www.BUSCH-JAEGER.com
info.bje@de.abb.com

Central sales service:

Tel.: +49 2351 956-1600
Fax: +49 2351 956-1700

Notice

We reserve the right to make technical changes at all times as well as changes to the contents of this document without prior notice. The detailed specifications agreed upon apply for orders. ABB accepts no responsibility for possible errors or incompleteness in this document.

We reserve all rights to this document and the topics and illustrations contained therein. The document and its contents, or extracts thereof, must not be reproduced, transmitted or reused by third parties without prior written consent by ABB