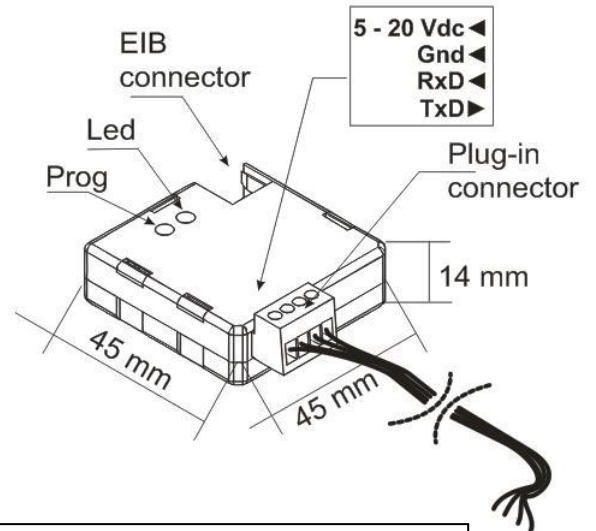


## MAIN FEATURES

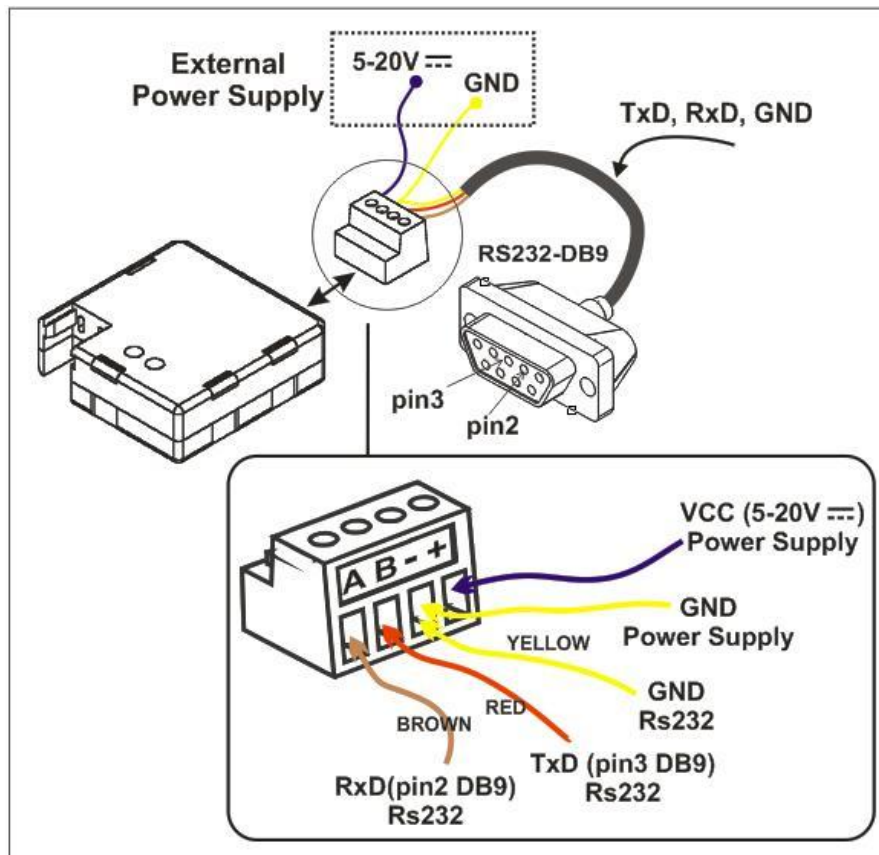
- Reduced size: 45 x 45 x 14mm.
- RS-232 communication.
- Independent control assembly device to be mounted inside distribution boxes.
- Open communication protocol.
  - Customizable communication speed and error detection built-in.
- Ideal for integration into KNX devices that allow RS232 communication.
- Based on core KNX BIMM112.
- High processing capacity.
- Total data saving.
- CE directives OK.



**Prog:** short button press to set the programming mode. If this button is held while plugging the device into the KNX bus, it goes into “secure mode”.

**LED:** programming mode indicator. When the device goes into secure mode, it blinks every half second.

## INSTALLATION AND WIRING DIAGRAM



GENERAL SYSTEM SPECIFICATIONS		
Concept		Description
Device Type		Electric operation control device
KNX supply	Voltage	29V DC
	Voltage range	21...31V DC
	Consumption	120mW at 9600 bauds
	Max intensity	4mA
	Connection type	Typical BUS connector TP1, 0,50 mm <sup>2</sup> section
External power supply	Voltage	5 V typical
	Voltage range	5 – 20 V
	Consumption	8mA
	Connection type	Terminal block (screws)
Ambient temperature		0°C to +55°C
Storage temperature		-20°C to +70°C
Ambient humidity (Relative)		30 to 85% RH (No condensation)
Storage humidity (Relative)		30 to 85% RH (No condensation)
Complementary characteristics		Class B
Overvoltage immunity class		II
Operating method		Continuous operation
Type of protection		IP20, clean environment
Device action type		Type 1
Electrical solicitations period		Long
Assembly		Independent control assembly device to be mounted inside distribution boxes
Minimum clearances		-----
KNX BUS failure response		Data saving
Response to BUS failure recovery		Data recovery
Operation indicator		Programming LED On when pushing the programming button
Number of automatic cycles (A) per automatic action		100.000 cycles
PCB CTI index		175V
Accessories		RS232 female connector, with cable (0,8m)
Enclosure		PC+ABS FR V0 halogen free
Weight		Aprox. 60 gr.

COMMUNICATION SPECIFICATIONS		
Concept		Description
Isolation method		Optic coupler
Baud rates		1200 – 19200 bps (bauds), customizable
Transmission type		8-bits data, 1 bit stop & customizable parity
		Full-duplex for open protocol
Connection type		Terminal block, RS232 female connection included
Max cable length		15 m.
Recommended cable section		0,15 - 1 mm <sup>2</sup> for connection clamps
Operation indicator		Software indicator

## SECURITY INSTRUCTIONS



- Do not connect the main voltage (230 V) or any other external voltages to any point of the BUS, except for the specific connections. Connecting an external voltage might put all the KONNEX system into risk.
- Ensure there is enough insulation between the AC Voltage cables, and the BUS ones or their extensions.